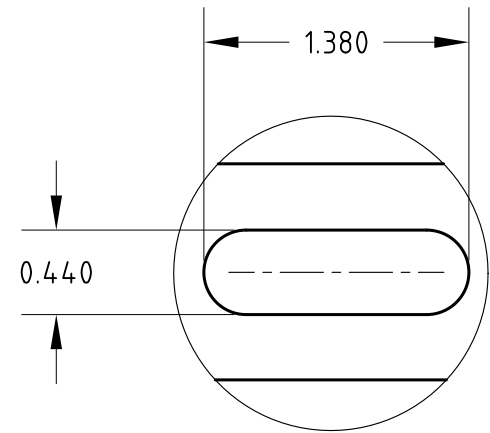
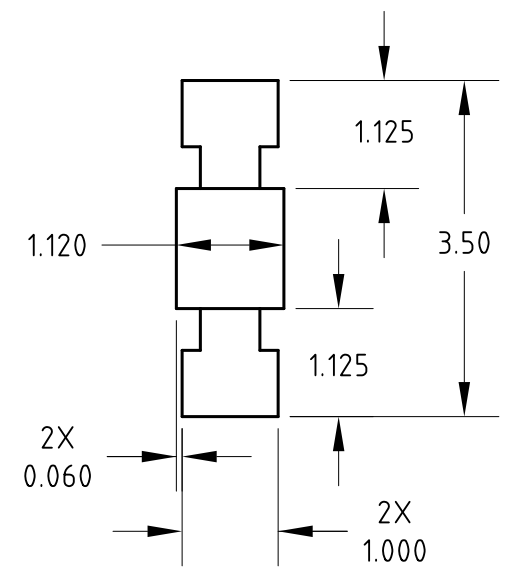
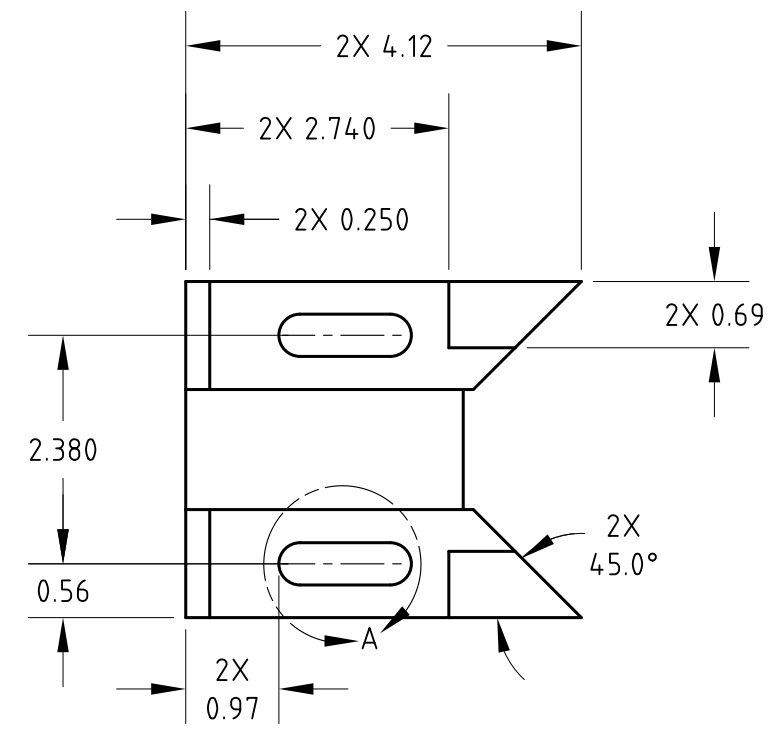
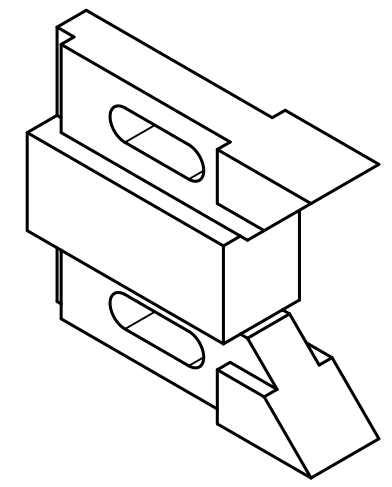
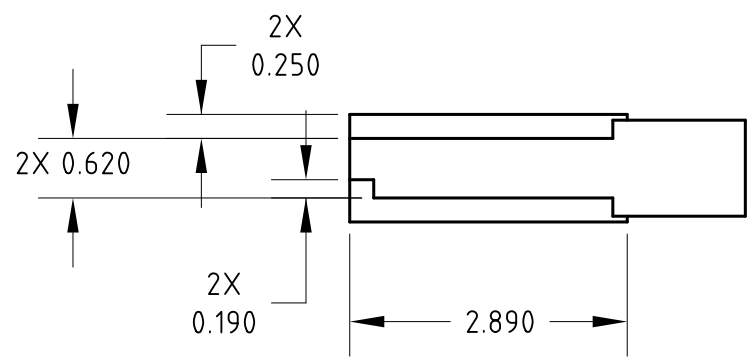


4

3

2

1



DETAIL A
SCALE 1:1
TYPICAL

UNLESS OTHERWISE SPECIFIED,
DIMENSIONS ARE IN INCHES
.XX = ±0-
.XXX = ±.00-
.XXXX = ±.000-
SURFACE FINISH $\sqrt{\quad}$
DO NOT SCALE DRAWING
BREAK ALL SHARP EDGES AND REMOVE
BURRS
THIRD ANGLE PROJECTION

| | NAME | DATE |
|----------|------------|------------|
| DRAWN | FastwayJim | 06/06/2016 |
| CHECKED | | |
| APPROVED | | |
| MATERIAL | FINISH | |

| Part 3 Dwg | | | |
|------------|---------|-------|--------|
| TITLE | | ----- | |
| SIZE | DWG NO. | REV. | |
| B | | - | |
| SCALE | WEIGHT | SHEET | 1 of 1 |

4

3

2

1

D

D

C

C

B

B

A

A